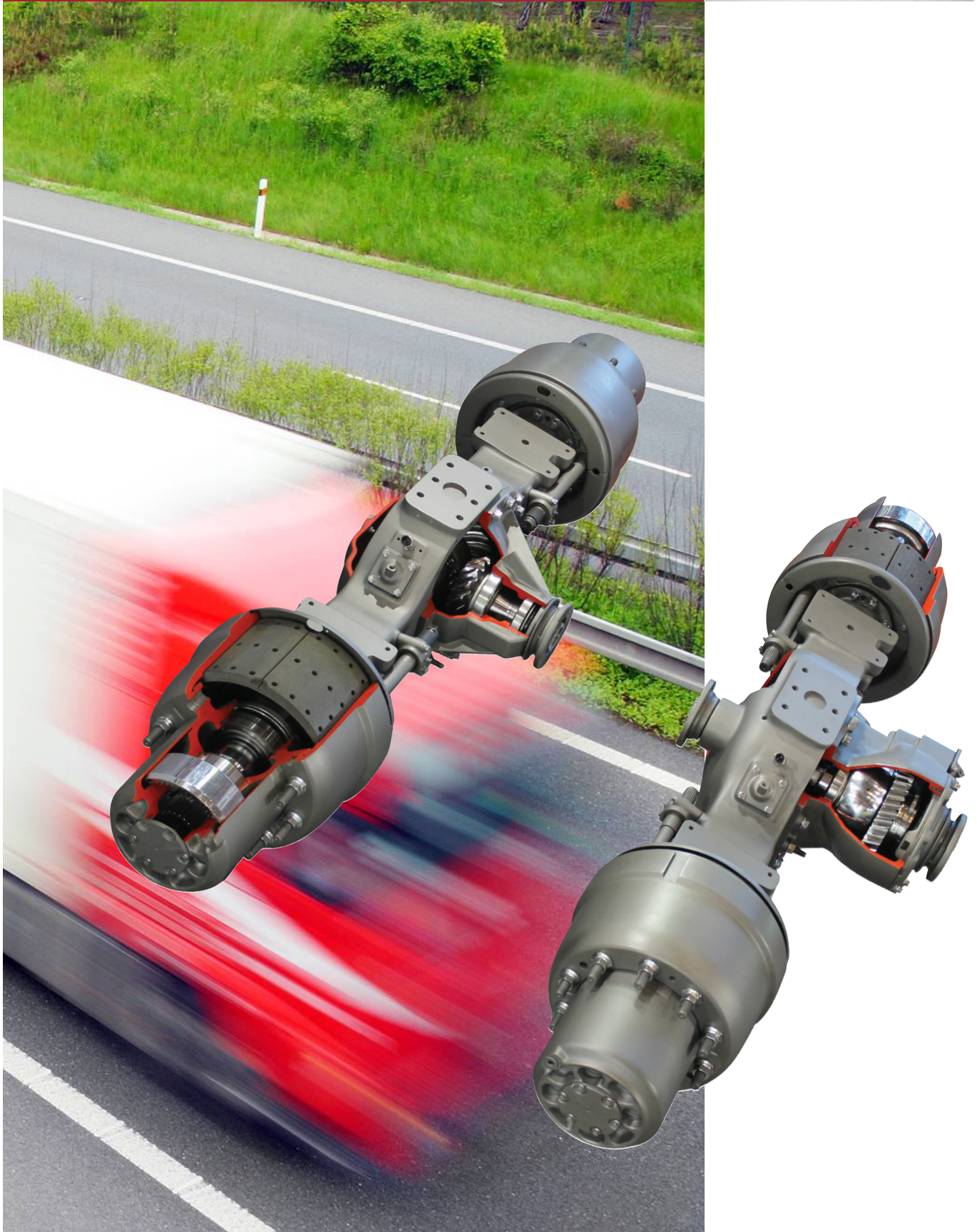


RTH2610B/RT3210HV

DRIVE AXLE PARTS CATALOGUE



MERITOR



IMPORTANT INFORMATION

AFTERMARKET PARTS WARRANTY

We warrant all new parts for one year from date of shipment to the buyer against defective material or workmanship (but not against damage caused by accident, abuse or improper installation, maintenance or repair) when such parts are used on vehicles the specifications of which have been approved by our Engineering Department.

As the exclusive remedy under this warranty, we will, at our option, repair or replace such parts free of charge, or take back the nonconforming parts and refund the monies paid by buyer for such parts, if found on examination by us to be nonconforming and if necessary return charges are prepaid.

If it is necessary to return any parts under this warranty, buyer agrees not to make any deduction on account thereof from remittances on current accounts while claims are in the process of disposition. Any expense incurred without our consent for repairs or replacement will not be allowed.

THIS WARRANTY IS EXPRESSLY IN LIEU OF ALL OTHER WARRANTIES OR CONDITIONS, EXPRESS, IMPLIED OR STATUTORY, INCLUDING ANY IMPLIED WARRANTY OF MERCHANTABILITY OR FITNESS FOR PARTICULAR PURPOSE. IN NO EVENT SHALL SELLER BE LIABLE FOR INCIDENTAL OR CONSEQUENTIAL DAMAGES OF ANY NATURE.

Only genuine Meritor replacement parts are covered by this aftermarket parts warranty.

DISCLAIMER

Information contained in this publication is in effect at the time the publication was approved for printing and is subject to change without notice or liability. Meritor, reserves the right to revise the information presented or discontinue the production of parts described at any time.

Manufacturers names, part numbers, symbols or other references appearing in this catalogue are used for reference for order of goods only. Images are also for reference only and not to scale.

TRADEMARK

The designated trademarks are registered marks of their respective owners and Meritor and its affiliates are not commercially connected, affiliated, or associated with any of the owners of such marks. The Meritor products presented herein are not endorsed or authorised by any of the trademark owners.

COPYRIGHT

All rights reserved. The Meritor or any part or layout of the catalogue cannot be printed or reproduced without written authorisation from Meritor.



Found an error?

If you detect any errors in this catalogue, please let us know. We want to ensure the information we publish is as accurate as possible. We appreciate your help in making this happen.

Please forward your enquiries to:

Email: meritoraftermarketau@meritor.com

Phone: (03) 8353 6050



TABLE OF CONTENTS

MERITOR® RTH2610B/RT3210HV DRIVE AXLE

PRODUCT NOTIFICATION LETTER

Fwd/Rear Carriers for MT610 Axles	1-3
---	-----

FRONT CARRIER

Exploded View	4,6
Parts List	5,7

FORWARD & REAR DIFF. LOCK

Exploded View	8
Parts List	8

OUTPUT SHAFT AND HOUSING ASSEMBLY

Exploded View	9
Parts List	9

WHEEL END ASSEMBLY

Exploded View	10
Parts List	11

REAR CARRIER

Exploded View	12
Parts List	13-14

SERVICE KITS - PARTS LIST

Front Bearing Kits / Rear Bearing Kit / Thru Shaft Kits / Hub Assembly / Planet Gear	15
--	----

DIFF. RATIO CHART

CARRIER RATIO TO FINAL RATIO
1.09 → 3.76
1.19 → 4.12
1.32 → 4.55
1.56 → 5.41
2.08 → 7.21



PRODUCT NOTIFICATION LETTER

Date: 2012-12-12
Subject: MT610 development with separated bearing caps
RS1352HV;RS1370HV;RTH3312; RSH1370, RTH2610B;
Product: RT2610HV;RTH3212E;RTH3212D;RT3210HV,
RS1365HV;RSH1370E;

Forward and rear carriers for MT610 axles will be updated with a new design solution. The current product has a bridge between the two bearing caps, with the planned change this bridge will be removed.

Both old and new carriers will be interchangeable, but after the SOP old P/N cannot be ordered. The introduction of this change is driven by product optimization.

Serial production is planned for week 9/2013.

Exact date and chassis-number will be provided by our Logistic Department.

Old



New



PRODUCT NOTIFICATION LETTER

Carrier Part numbers will be replaced as follow:

NEW part number w/o bridge	RATIO	OLD part number with bridge
A3-3200W2415-100	1.00	A93200H2088100
A3-3200W2415-104	1.04	1524976
A3-3200W2415-109	1.09	1524977
A3-3200W2415-119	1.19	1524978
A3-3200W2415-132	1.32	1524979
A3-3200W2415-135	1.35	A93200H2088135
A3-3200W2415-156	1.56	1524980
A3-3200W2415-158	1.58	A93200H2088158
A3-3200W2415-179	1.79	A93200H2088179
A3-3200W2415-208	2.08	1524981

NEW part number w/o bridge	RATIO	OLD part number with bridge
A3-3200S2411-100	1.00	A33200C2057100D
A3-3200S2411-104	1.04	A33200C2057104D
A3-3200S2411-109	1.09	A33200C2057109D
A3-3200S2411-119	1.19	A33200C2057119D
A3-3200S2411-132	1.32	A33200C2057132D
A3-3200S2411-135	1.35	A33200C2057135D
A3-3200S2411-156	1.56	A33200C2057156D
A3-3200S2411-158	1.58	A33200C2057158D
A3-3200S2411-179	1.79	A33200C2057179D
A3-3200S2411-208	2.08	A33200C2057208D

A4-3200W2415-156	1.56	A33200H2088156
A4-3200W2415-208	2.08	A33200H2088208

A4-3200S2411-100	1.00	A43200C2057100
A4-3200S2411-104	1.04	A43200C2057104
A4-3200S2411-109	1.09	A43200C2057109
A4-3200S2411-119	1.19	A43200C2057119
A4-3200S2411-132	1.32	A43200C2057132
A4-3200S2411-135	1.35	A43200C2057135
A4-3200S2411-156	1.56	A43200C2057156
A4-3200S2411-158	1.58	A43200C2057158
A4-3200S2411-179	1.79	A43200C2057179
A4-3200S2411-208	2.08	A43200C2057208

A5-3200W2415-100	1.00	A63200H2088100
A5-3200W2415-104	1.04	A63200H2088104
A5-3200W2415-109	1.09	A63200H2088109
A5-3200W2415-119	1.19	A63200H2088119
A5-3200W2415-132	1.32	A63200H2088132
A5-3200W2415-156	1.56	A63200H2088156
A5-3200W2415-192	1.92	A63200H2088192
A5-3200W2415-208	2.08	A63200H2088208

A5-3200S2411-132	1.32	A93200C2057132
A5-3200S2411-156	1.56	A93200C2057156

A6-3200W2415-135	1.35	A113200H2088132
A6-3200W2415-156	1.56	A113200H2088156
A6-3200W2415-208	2.08	A113200H2088208

A5-3200S2411-208	2.08	A93200C2057208
------------------	------	----------------

A7-3200W2415-156	1.56	A103200H2088156
------------------	------	-----------------

A6-3200S2411-132	1.32	A63200C2057132
A6-3200S2411-156	1.56	A63200C2057156

A8-3200W2415-132	1.32	A83200H2088132
A8-3200W2415-156	1.56	A83200H2088156

A9-3200W2415-211	2.11	A73200H2088211
------------------	------	----------------

A3-3200T2412-104	1.04	A43200F2060104D
A3-3200T2412-109	1.09	A43200F2060109D
A3-3200T2412-119	1.19	A43200F2060119D
A3-3200T2412-132	1.32	A43200F2060132D
A3-3200T2412-156	1.56	A43200F2060156D

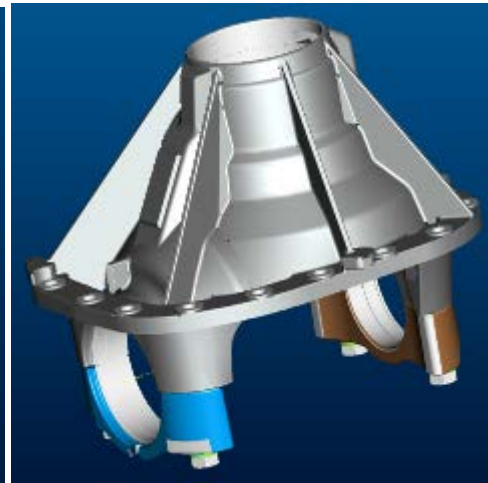
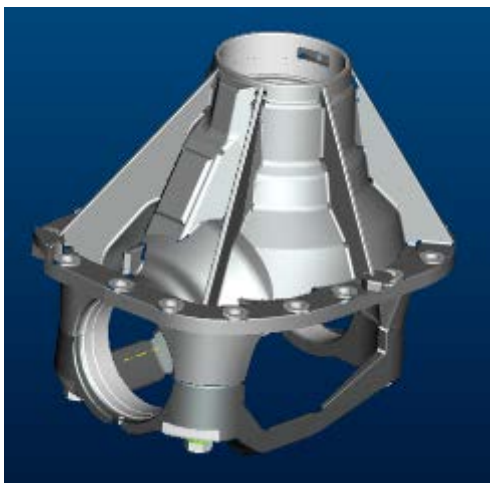


PRODUCT NOTIFICATION LETTER

Old



New



Parts that will be replaced are as follows :

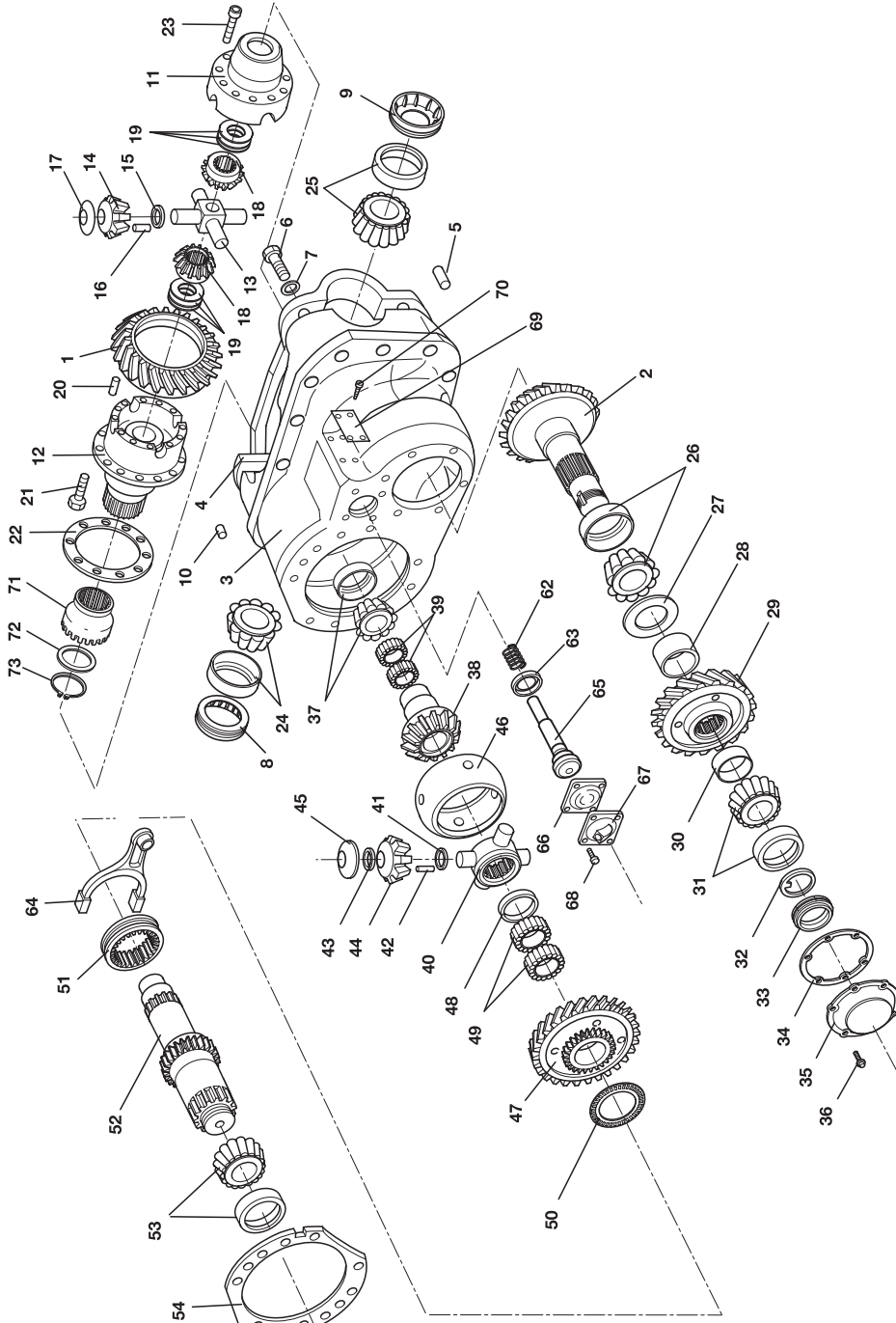
Old p/n	Name	PCS	New p/n	Name	PCS
1524916	Carrier Housing DS70	1	A23200W2415	Carrier Housing DS70	1
A23200F2060	Carrier Housing DS65	1	A23200T2412	Carrier Housing DS65	1
A23200C2057	Carrier Housing DT100	1	A23200S2411	Carrier Housing DT100	1



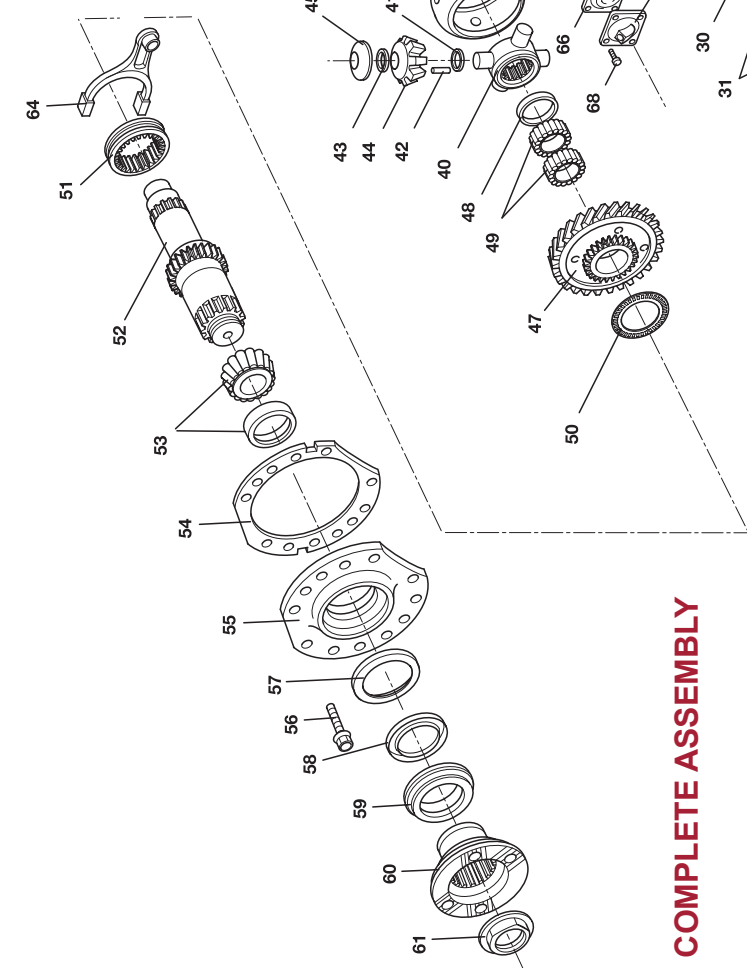
FRONT CARRIER A43200S2411

TYPICAL EXPLODED VIEW DISPLAYED BELOW TO HELP YOU CHOOSE THE CORRECT PART.

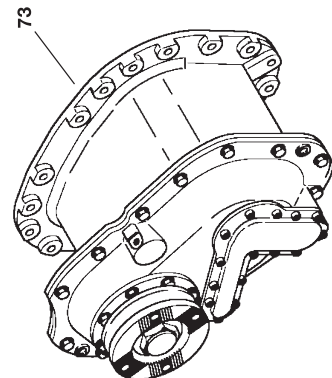
CARRIER SECTION



INPUT SECTION



COMPLETE ASSEMBLY



Refer to Maintenance Manual MM-0194 for further information



MERITOR



FRONT CARRIER A43200S2411

ITEM NO.	MERITOR PART NUMBER	OE PART NUMBER	DESCRIPTION	NO. PER UNIT
1,2	1524907		Gear set 1.09 - DT100H	1
1,2	1524908		Gear set 1.19 - DT100H	1
1,2	1524909		Gear set 1.32 - DT100H	1
1,2	1524910		Gear set 1.56 - DT100H	1
1,2	1524911		Gear set 2.08 - DT100H	1
3,4,5,6,7,10	A23200C2057		Carrier diff assembly - DT100	1
8	1673664		M155X2 adjusting screw	1
9	1673663		M135X2 adjusting screw	1
11	1524854		Diff case plain half LH	1
12	1524855		Diff case flange half RH (Ratio 1.09/ 1.19)	1
12	1524856		Diff case flange half RH (Ratio 1.32/ 1.56/ 2.08)	1
13	1522343		Spider	1
14	2233H1178	1522346	Pinion-diff fin	4
15	1522344		Spacer plate	4
16*	1522345		Roller needle	140
17	1522347		Thrust washer	4
18	2234L1364	20503270	Gear-diff side fin	2
19	1524716		Thrust washer	6
20	950677		Pin	10
21	963310		Capscrew M16X35	10
22	1524861		Locking plate	1
23	959281		Screw	12
24*	1524857		Roller bearing	1
25*	1524964	184623	Roller bearing	1
26*	1524985	181396	Pinion bearing	1
27	42X1567	941291	T=0.10 Shim	A/R
27	42X1569	941292	T=0.35 Shim	A/R
27	42X1570	941293	T=0.50 Shim	A/R
27	42X1568	948599	T=0.15 Shim	A/R
28	1524870	20477902	Spacer sleeve 7.78mm	A/R
28	1524996	20477903	Spacer sleeve 7.80 mm	A/R
28	1524997	20477904	Spacer sleeve 7.82 mm	A/R
29	1524953		Gear-driven helical	1
30	E966M	1693565	Spacer sleeve	A/R
31*	1524982	184633	Pinion bearing	1
32	948650		Washer pinion nut	1
33	1522293		Locking nut	1
34	3192160		Cover gasket	1
35*	3266R1682	3192161	Pinion cover	1
36	945444		Capscrew M8X25	6
37*	1524061	184622	Bearing	1

A/R = As Requested

*Refer page 15 - Service Kits



MERITOR

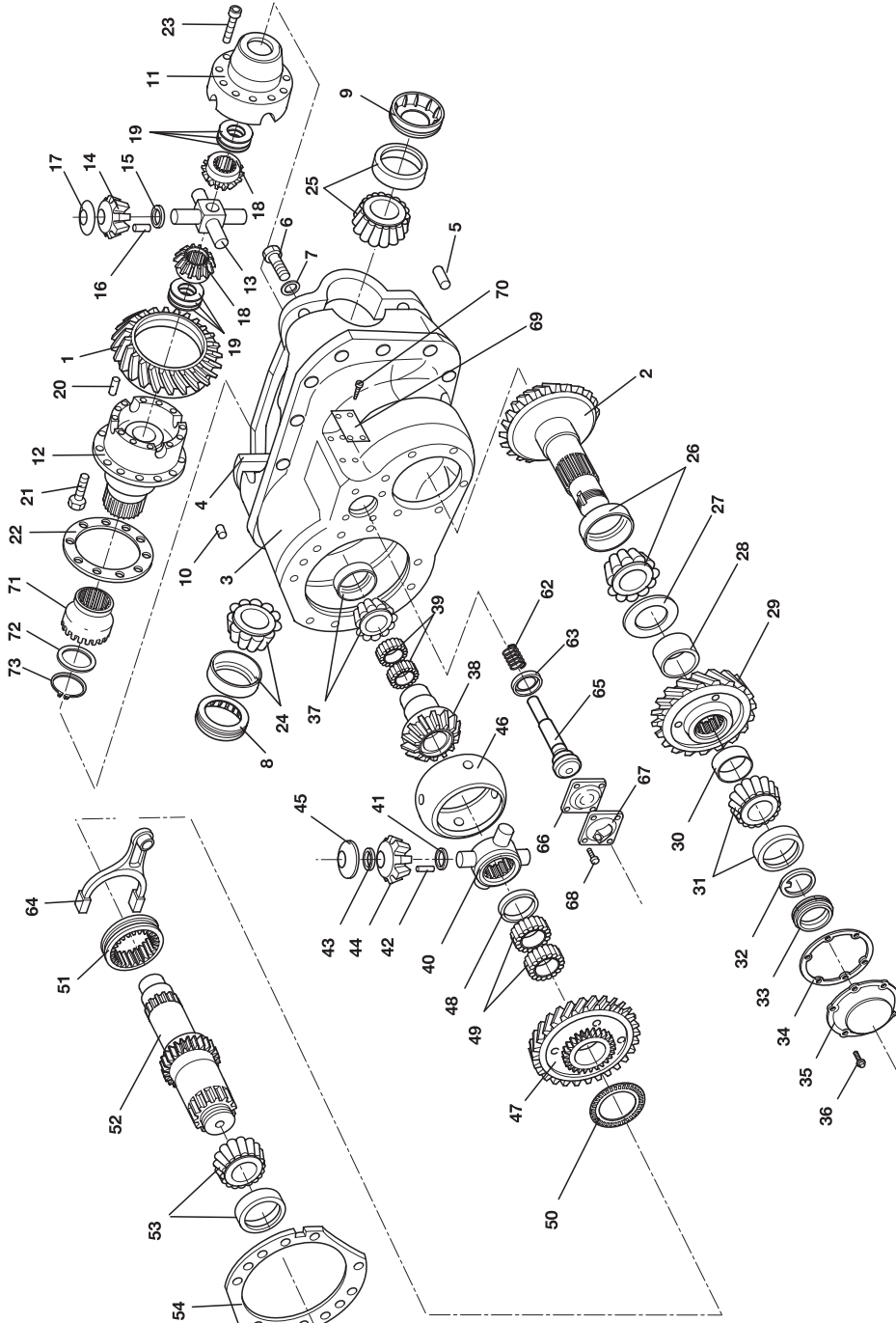
Meritor® RTH2610B/RT3210HV Parts Catalogue | 5



FRONT CARRIER A43200S2411

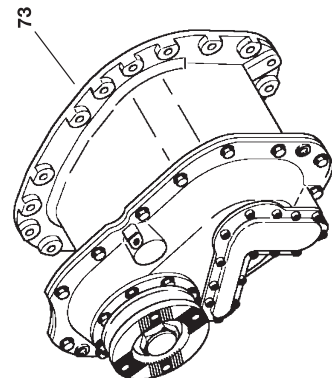
TYPICAL EXPLODED VIEW DISPLAYED BELOW TO HELP YOU CHOOSE THE CORRECT PART.

CARRIER SECTION



INPUT SECTION

COMPLETE ASSEMBLY



Refer to Maintenance Manual MM-0194 for further information



MERITOR



FRONT CARRIER A43200S2411

ITEM NO.	MERITOR PART NUMBER	OE PART NUMBER	DESCRIPTION	NO. PER UNIT
38	1524889		Rear side gear	1
39*	181632		Needle roller assembly	1
40	1524883		Spider interaxle differential	1
41	1524884		Spacer plate	4
42*	1522345		Needle roller	184
43	1524885		Spacer ring	4
44	1524886		Gear-interaxle diff pinion DT100H	4
45	1229F4920S	1524887	Diff pinion thrust washer	4
46	1524888		Carrier for interaxle diff	1
47	3892W5743	8172930	Integral gear DT100H	1
48	1524882		Spacer sleeve	1
49*	1524881		Needle-bearing assembly	2
50*	1524879		Bearing helical thrust	1
51	3107C1251	3152714	Collar-clutch	1
52	3297C1485	20480075	Input shaft	1
53*	1524058		BRG-Forward input cup/cone	1
54	1069122		Shim-input cage T = 0.25 Shim	A/R
54	1524895		Shim-input cage T = 0.30 Shim	A/R
54	1524896		Shim-input cage T = 0.35 Shim	A/R
54	1524897		Shim-input cage T = 0.40 Shim	A/R
54	1524898		Shim-input cage T = 0.45 Shim	A/R
54	1524900		Shim-input cage T = 0.55 Shim	A/R
55	3226P1628	1673075	Cage bearing assembly	1
56	965192		Hex head screw M12X40	8
57/58*	A11205L2794*		Input oil seal (One piece seal)	1
59	3264M1495	1672045	Deflector	1
60	3260V2024	20706810	Flange-drive XS180/D70-spline	1
61	8171338		Locknut M60X2	1
62	1524891		Spring	1
63	3261T1086	20545487	Diaphragm seat	1
64	3296R1318	3152715	Fork-shift	1
65	2244K1207	20508967	Push rod	1
66	2297A8477	20545485	Diaphragm	1
67	3266V1504	20706809	Cover	1
68	945444		Capscrew M8X25	4
69	-		ID Plate - not sold separately	1
70	1069782		Screw M8X20	2
71	1522353		Comp flange diff housing	1
72	1522355		Washer	1
73	914480		Retaining ring	1
74	A43200S2411 109D	20545470	1.09 Complete front carrier assembly DT100H	1
74	A43200S2411 119D	20545471	1.19 Complete front carrier assembly DT100H	1
74	A43200S2411 132D	20545472	1.32 Complete front carrier assembly DT100H	1
74	A43200S2411 156D	20545473	1.56 Complete front carrier assembly DT100H	1
74	A43200S2411 208D	20545474	2.08 Complete front carrier assembly DT100H	1

A/R = As Requested

* Refer page 15 - Service Kits



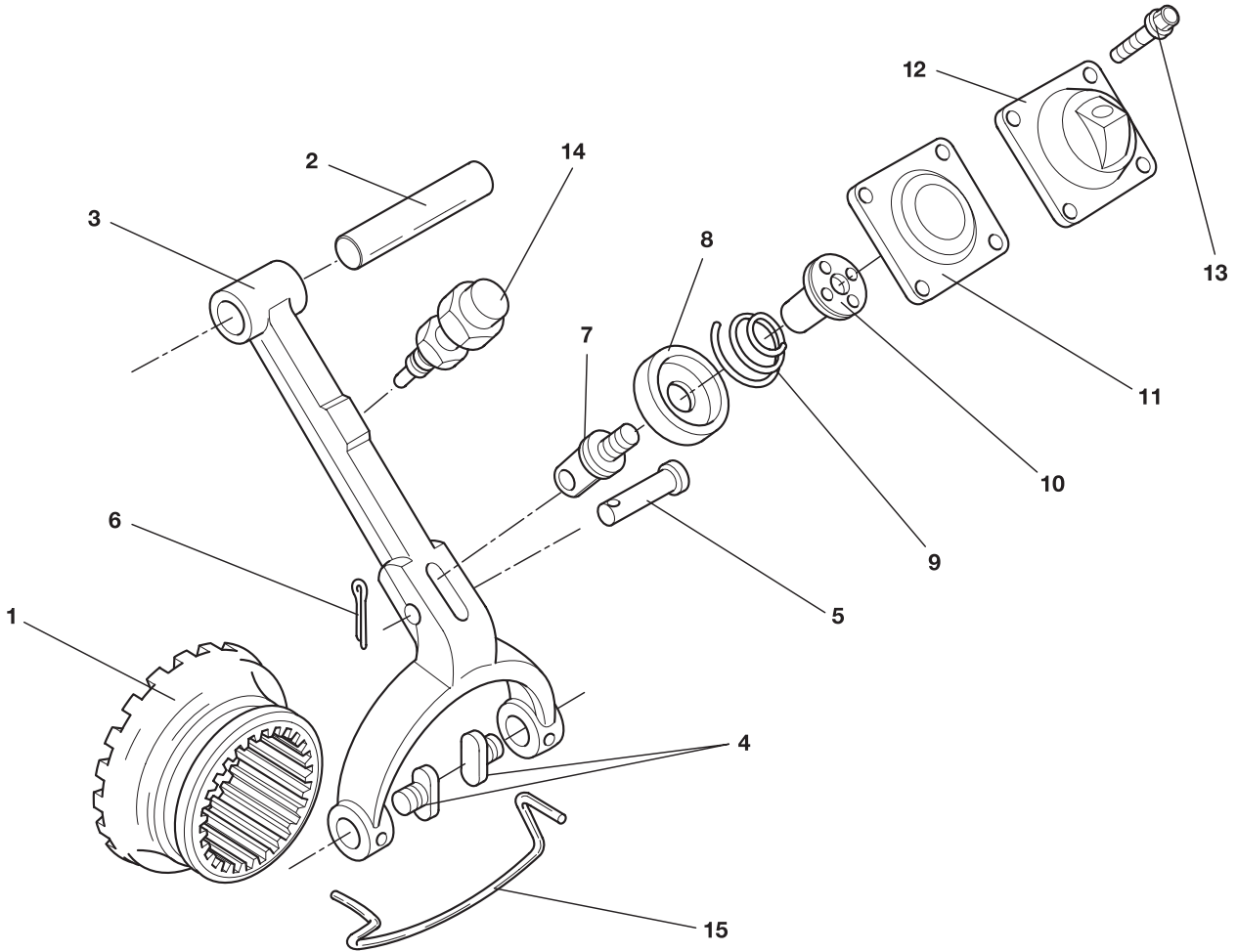
MERITOR

Meritor® RTH2610B/RT3210HV Parts Catalogue | 7



FORWARD & REAR DIFF. LOCK

TYPICAL EXPLODED VIEW DISPLAYED BELOW TO HELP YOU CHOOSE THE CORRECT PART.



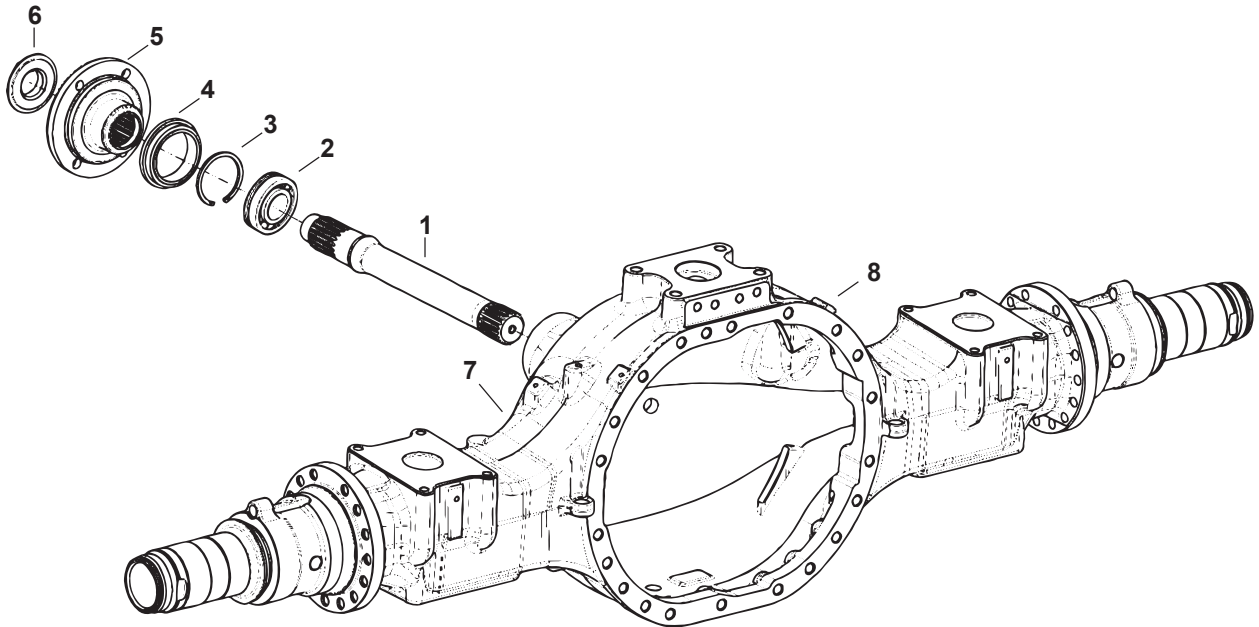
Refer to Maintenance Manual MM-0194 for further information

ITEM NO.	MERITOR PART NUMBER	OE PART NUMBER	DESCRIPTION	NO. PER UNIT
1	1522354		Dog clutch	1
2	3152043		Pivot pin	1
3	1069372		Fork	1
4	1523087		Pin	2
5	964845		Clevis pin - 8X30	1
6	907822		Split Pin - 2X12	1
7	3152163		Selector bar	1
8	3261S1085		Diaphragm seat	1
9	3152042		Spring	1
10	3152044		Sleeve	1
11	2297A8477	20545485	Diaphragm	1
12	3266V1504	20706809	Cover	1
13	945444		Flange screw - M8X25	4
14	2237L1390		Sensor switch	1
15	1523084		Lock brace	1



OUTPUT SHAFT & HOUSING ASSEMBLY

TYPICAL EXPLODED VIEW DISPLAYED BELOW TO HELP YOU CHOOSE THE CORRECT PART.



ITEM NO.	MERITOR PART NUMBER	OE PART NUMBER	DESCRIPTION	NO. PER UNIT
1*	1524837		Output shaft	1
2*	1524988		Roller BRG	1
3	1524842		Spacer ring	1
4*	1524838		Seal	1
5*	3260T2048	1524840	Companion flange	1
6*	1673393	8171336	Nut	1
7	Refer to spec		Banjo housing	1
8	981281		Oil drain & fill plug	1
N/S	981280		Oil fill plug	1
N/S	1069030		Oil collector	1
N/S*	1523988		Spacer ring	1
N/S	3152071		Stud (forward & rear)	4
N/S	3152131		Forward mounting bolt	13
N/S	3152131		Rear mounting bolt	12
N/S	3152072		Nut mounting (forward & rear)	4
N/S	980568		V nipple	1
N/S*	949321		Retaining Ring	1

N/S = Not Shown

* Refer page 15 - Service Kits



MERITOR

Meritor® RTH2610B/RT3210HV Parts Catalogue | 9



WHEEL END ASSEMBLY

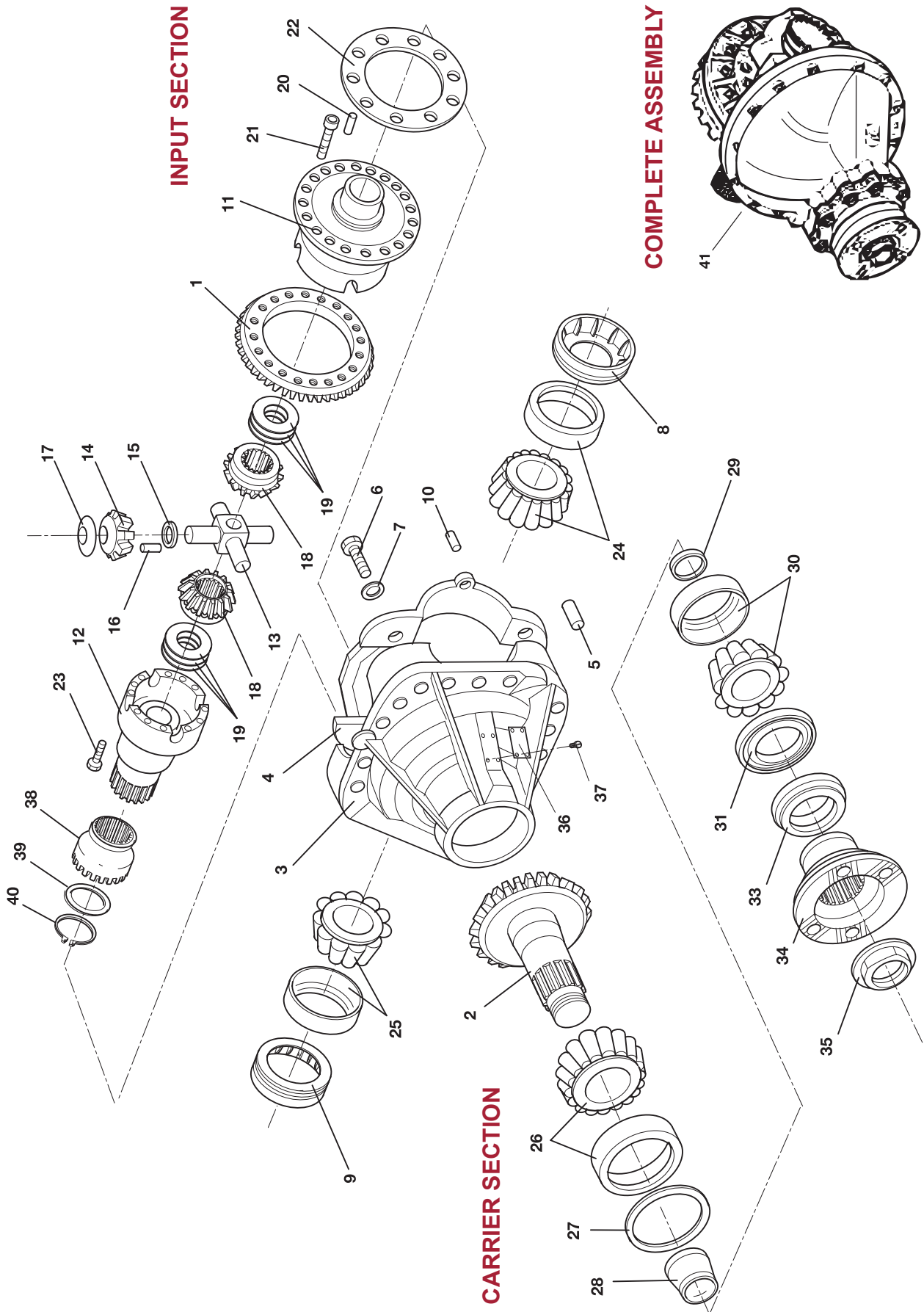
ITEM NO.	MERITOR PART NUMBER	OE PART NUMBER	DESCRIPTION	NO. PER UNIT
1	41X1668	959238	Cap screw M10x2	10
2	3204W1089	3204J1076	Ring gear carrier	1
3	1227P1628		Hub nut	1
4	3191854*		Hub casing 4 Planetary	1
5	1522380		Ring gear	1
6	1522373		Sealing ring	1
7	3892T5948		Sun gear	1
8	949329		Copper gasket oil plug	2
9	981281		Magnetic plug	1
10	941907		Spring washer	6
11	955294		Flange screw	6
12	3192819		Cover	1
13	1523115		Grooved pin (L=55mm)	1
13	1523116		Grooved pin (L=60mm)	1
14	955891		Washer	1
15	981281		Plug (suit disc)	1
15	981280		Plug (suit drum)	1
16	914532		Retaining ring	1
17	1522393		Thrust washer	1
18	1673500		Spring washer	2
19*	949721*		O-ring STD	4
20*	1522386*		Bearing spindle for planet gear	4
21*	1522389*		Thrust washer	8
22*	1522381*		Planet gear	4
23*	1522388*		Shim T=12.20	4
24*	1522387*		Needle	152
25*	1522390*		Thrust washer	8
26	1522392		Retaining ring	1
27*	914463*		Retaining ring	4
28	982108		O-ring	1
29	1069373		Magnetic washer	1
30	967581		Retainer	1
31	41X1673		Bolt	1
32	3151615		Hub complete assembly (suit disc)	1
32	E820		Hub complete assembly (suit drum)	1
33	1673558		Spindle	1
34	3191861		Axle shaft forward RH RT2610	1
34	3191860		Axle shaft forward LH RT2610	1
34	3191863		Axle shaft rear RH RT2610/RT3210HV	1
34	3191862		Axle shaft rear LH RT2610/RT3210HV	1
34	3191865		Axle shaft forward RH RT3210HV	1
34	3191864		Axle shaft forward LH RT3210HV	1

* Refer page 15 - Service Kits



REAR CARRIER A33200W2415

TYPICAL EXPLODED VIEW DISPLAYED BELOW TO HELP YOU CHOOSE THE CORRECT PART.



Refer to Maintenance Manual MM-01105 for further information



REAR CARRIER A33200W2415

ITEM NO.	MERITOR PART NUMBER	OE PART NUMBER	DESCRIPTION	NO. PER UNIT
1,2	1522232		Gearset 1.09 DS70H	1
1,2	1524940		Gearset 1.19 DS70H	1
1,2	1524941		Gearset 1.32 DS70H	1
1,2	1524942		Gearset 1.56 DS70H	1
1,2	1524943		Gearset 2.08 DS70H	1
3,4,6,7	1524916		Diff carrier housing assembly (DS70H)	1
5	951989		Spring pin	2
8	1673663		Adjusting screw M135X2	1
9	1673664		Adjusting screw M155X2	1
10	1069782		Set screw	1
11	1524914		Diff case flange half LH (1.09/1.19)	1
11	1524915		Diff case flange half LH (1.32/1.56/2.08)	1
12	1522259		Diff case plain half RH	1
13	1522343		Spider	1
14	2233H1178	1522346	Pinion-diff	4
15	1522344		Spacer plate	4
16*	1522345		Roller needle	140
17	1522347		Thrust washer	4
18	2234L1364	20503270	Gear-diff side fin	2
19	1524716		Thrust washer	6
20	950677		Cylindrical pin	10
21	963310		Screw	10
22	1524861		Locking plate	1
23	959281		Screw	12
24*	1524857		Roller bearing	1
25*	1524964	184623	Roller bearing	1
26*	1524926		Pinion bearing	1
27	1524922		Shims	A/R
27	1524923		Shims	A/R
27	1524924		Shims	A/R
27	1524925		Shims	A/R
28	1524929		Spacer sleeve	0.05
28	1524930		Spacer sleeve	0.9
28	1524931		Spacer sleeve	0.4
29	E982M	1693008	Spacer sleeve	1
30*	1673537		Pinion bearing	1
31*	A11205L2794	3192069	Pinion oil seal	1
33	3264M1495	1672045	Deflector	1
34	3260X2026	1672275 / 20706812	Companion flange XS180/D7	1
35	8171338		Locknut M60X2	1
36	-		ID tag - not sold separately	1
37	1069782		Screw (not required)	1
38	1522353		Comp flange diff housing	1
39	1522355		Washer	1
40	914480		Retaining ring	1
41	A33200W2415 109D	1524977	1.09 Complete rear carrier assembly DS70H	1
41	A33200W2415 119D	1524978	1.19 Complete rear carrier assembly DS70H	1
41	A33200W2415 132D	1524979	1.32 Complete rear carrier assembly DS70H	1

* Refer page 15 - Service Kits



MERITOR

Meritor® RTH2610B/RT3210HV Parts Catalogue | 13



REAR CARRIER A33200W2415

ITEM NO.	MERITOR PART NUMBER	OE PART NUMBER	DESCRIPTION	NO. PER UNIT
41	A33200W2415 156D	1524980	1.56 Complete rear carrier assembly DS70H	1
41	A33200W2415 208D	1524981	2.08 Complete rear carrier assembly DS70H	1

A/R = As Requested



SERVICE KITS - PARTS LISTING

ITEM NO.	MERITOR PART NUMBER	DESCRIPTION	NO PER UNIT
KITAU2610F			
FRONT BEARING KIT			
24	1524857	Roller Bearing	1
25	1524964	Roller Bearing	1
26	1524985	Pinion Bearing	1
31	1524982	Pinion Bearing	1
35	3192161	Cover Gasket	1
37	1524061	Bearing	1
39	181632	Needle Roller Assy	1
49	1524881	Needle Roller Assy	2
50	1524879	Bearing Helical Thrust	1
57/58	A11205L2794	Oil Seal	1
53	1524058	Input Bearing	1
16/42	1522345	Needle Bearings	324
4 (Output Shaft)	1524838	Thru Shaft Oil Seal	1
KITAU2610R			
REAR BEARING KIT			
16	1522345	Needle Bearings	140
24	1524857	Roller Bearing	1
25	1524964	Roller Bearing	1
26	1524926	Pinion Bearing	1
30	1673537	Pinion Bearing	1
31	A11205L2794	Pinion Oil Seal	1
E699			
THRU SHAFT KIT			
1	1524837	Thru Shaft Assy	1
2	1524988	Bearing Assy	2
3	1524842	Spacer Ring	1
4	1524838	Seal	1
5	3260T2048	Companion Flange	1
6	1673393	Lock Nut	1
N/S	1523988	Spacer Ring	1
N/S	949321	Retaining Ring	1
E820			
HUB ASSEMBLY			
4	3191854	Hub Drum	1
19	949721	O-ring STD	4
20	1522386	Bearing spindle for planet gear	4
21	1522389	Thrust washer	8
22	1522381	Planet gear	4
23	1522388	Shim T=12.20	4
24	1522387	Needle Bearings	152
25	1522390	Thrust washer	8
27	914463	Retaining ring	4
KIT AU866			
PLANET GEAR			
19	949721	O-ring STD	4
20	1522386	Bearing spindle for planet gear	4
21	1522389	Thrust washer	8
22	1522381	Planet gear	4
23	1522388	Shim T=12.20	4
24	1522387	Needle Bearings	152
25	1522390	Thrust washer	8
27	914463	Retaining ring	4



NOTES



A series of horizontal dotted lines spanning the width of the page, intended for handwritten notes.



NOTES



A series of horizontal dotted lines spanning the width of the page, providing a space for handwritten notes.



NOTES



A series of horizontal dotted lines spanning the width of the page, intended for handwritten notes.





Meritor Heavy Vehicle Systems
50 Calarco Drive
DERRIMUT VIC 3026
AUSTRALIA

Phone: (+61 3) 8353 6050
Fax: (+61 3) 8353 6060
Email: cvaau.sales@meritor.com

meritorpartsonline.com.au
meritor.com